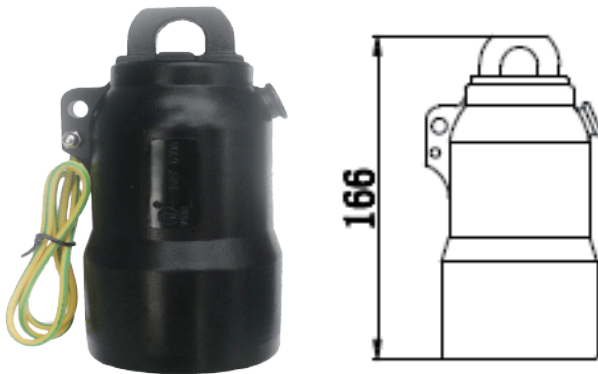


Insulated Cap

- ◆ Made of EPDM rubber
- ◆ Used to insulate, shield and seal the deadbreak interfaces of C-type bushings, complying with EN 50180 & EN 50181
- ◆ Tested in compliance with IEC 60502.4-2005
- ◆ 100% factory tested



Dimension: mm

Technical Data

Item	WJM 15/630	WJM 24/630
Rated Voltage	15kV	24kV
Rated Current	630A	630A
AC Withstand Voltage	39kV for 5min	54kV for 5min
Partial Discharge	15kV, $\leq 10\text{pC}$	20kV, $\leq 10\text{pC}$
Impulse Withstand Voltage (10 times for each polarity)	95kV	125kV
Screen Resistance	$\leq 5000\Omega$	$\leq 5000\Omega$

Shenzhen Woer Heat-Shrinkable Material Co.,Ltd.

Website: <http://en.woer.com> E-mail: woer@woer.cn woer@woer.com Fax: +86 755 28299160